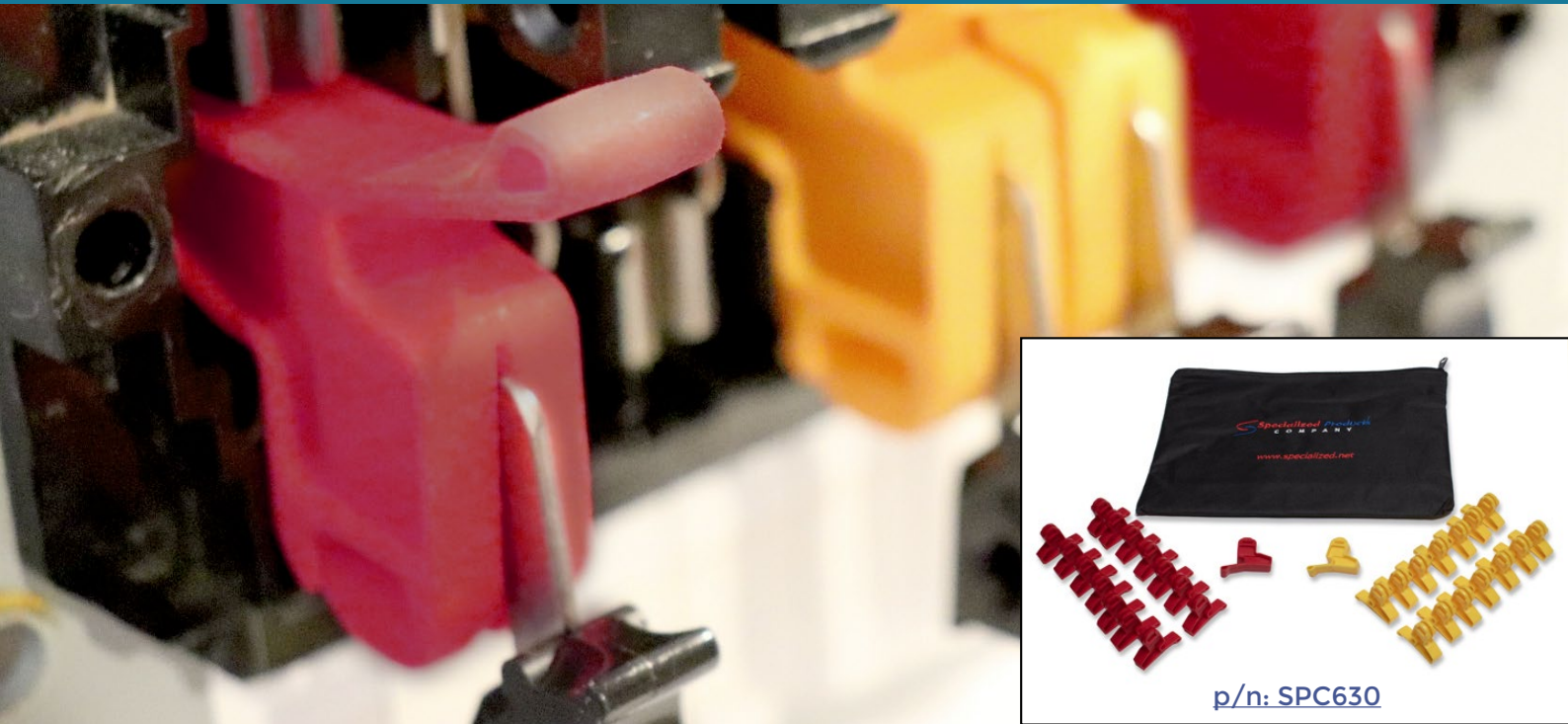


LOCKOUT LABS



p/n: SPC630

FT Switch Lock

By: Lockout Labs LLC

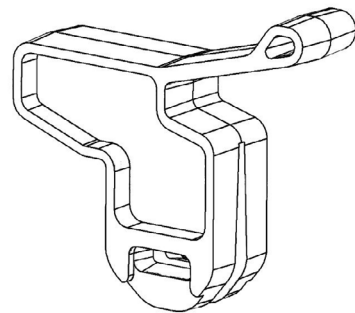
The FT Switch Lock allows for the safe lockout and tagout of FT switches. The patent pending design allows the user to safely and confidently lockout any switch within seconds. The design replaces the unreliable practice of using electrical tape as a form of isolation, providing instead a safer lockable application. Our goal at Lockout Labs is to increase safety while providing reliability and efficiency.

093X109 - Yellow FT Switch Block Lockout, 1 Each

093X186 - Red FT Switch Block Lockout, 1 Each

SPC630 - Substation Switch Block Kit

SPECIFICATIONS:



- Lockable with cable tie
- Colors Available:
 - Orange
 - Red
 - Yellow
- Custom colors upon request*
- Fits all major FT test switch brands*
- Meets or exceeds all FT voltage ratings
- Reusable and made of durable ABS Plastic
- Lockout cable tie serves as a tagging location
- Can be used with test switch covers in place
- * FT-14 require a space between 3 or more lockouts