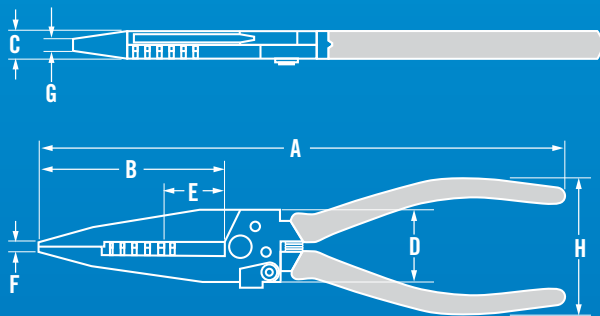
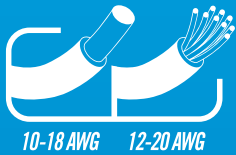


**FORGED
Wire Stripper**

Forged for strength. Precision machined for functionality.

968

7.5IN | 190MM



PART NO.	UPC	DESCRIPTION	A		B		C		D		E		F		G		H		LIST PRICE
			OVERALL LENGTH		JAW LENGTH		JOINT THICKNESS		JOINT WIDTH		CUTTING EDGE		NOSE WIDTH		NOSE THICKNESS		HANDLE SPAN		
968	SINGLE 025582840219	FORGED Wire Stripper	in.	mm	in.	mm	in.	mm	in.	mm	in.	mm	in.	mm	in.	mm	in.	mm	
			7.50	190.50	2.60	66.04	0.39	9.91	1.00	25.40	0.85	21.59	0.14	3.56	0.14	3.56	1.89	48.01	61.71