

3M™ Hot Melt Connectors are among the most popular with contractors because of their reliability and ease of use. They come pre-loaded with an adhesive with a very long shelf life, and the termination procedure provides the ability to reheat and reposition the fiber in the termination process. This easy-to-install field mount connector provides reliable performance in indoor and outdoor applications and has no internal splice.

All 3M hot melt connectors can be terminated using the same 3M™ Hot Melt Termination Kit 6366/6362. 3M™ LC Connectors also require the 3M™ LC Hot Melt Expansion Kit 6650-LC which includes a weighted polishing jig to provide a PC centered apex end face.

Applications

The 3M Hot Melt Connectors are specifically designed for installation in singlemode and multimode fiber data transport systems. These include building and campus Local Area Network (LAN) backbones, factory and industrial control systems, traffic control systems and enterprise networks.

Hot Melt Connectors are fast and reliable for termination of multifiber distribution and breakout cables. They can be used for termination and restoration of patch cords.

The applications for the hot melt connector are based on TIA-568 standards for performance over environmental extremes.

3M™ Hot Melt Connectors

- Singlemode and multimode local area networks and campus wiring
- Singlemode data centers and CATV headend
- Environmental performance exceeding EIA/TIA 568-B.3
- Singlemode reflection performance of –55dB at temperature extremes
- Available in LC, ST, SC, FC singlemode and multimode connectors
- Provides reliable performance in a wide range of indoor and outdoor applications



3M™ Multimode Duplex LC Connector 6600



3M™ Multimode ST Connector 6100



3M™ Singlemode SC Connector 8300



3M™ Singlemode FC Connector 8200

3M™ Hot Melt Connectors – LC, ST, SC, FC

Features	Benefits
Meets TIA/EIA 568-B.3 standard for indoor and outdoor applications	Long term reliability
Ease of use on backbone and horizontal cable	Quick termination in <2 minutes; high yield
Allows custom length cable assemblies to be built on site	Enhances cable management in telecom room or central office Minimizes cable slack
Adhesive fiber retention	Not dependent on mechanical retention alone
3M field polishing process produces <55dB reflection, singlemode	Reliable in high speed transmission
Pre-loaded adhesive	No epoxy mixing or mess; no pot life
Re-heatable adhesive	Allows fiber repositioning
Blue dot of adhesive after fiber insertion	Easy to see when polishing is complete

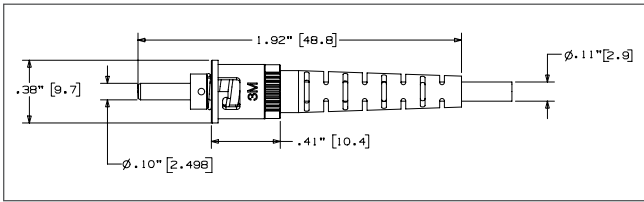
Specifications	Multimode	Singlemode
Product Number	6100 ST Series 6200 FC Series 6300 SC Series 6600 LC Series	8100 ST Series 8200 FC Series 8300 SC Series 8600 LC Series
Testing Specification	TIA/EIA 568-B.3	TIA/EIA 568-B.3
Operating Temperature	-10°C to +60°C (+14°F to +140°F)	-10°C to +60°C (+14°F to +140°F)
Attenuation*	<0.2dB typical	<0.2dB typical
Reflection*	-25dB typical	-55dB typical
Mating Durability 300 Matings	<0.2dB change	<0.2dB change
Storage Temperature	-40°C to +85°C (-40°F to +185°F)	-40°C to +85°C (-40°F to +185°F)
Materials and Identification		
Ferrule	Zirconia ceramic	Zirconia ceramic
Housing Body	Nickel plated zinc (ST) Engineered resin (LC, SC, FC)	Nickel plated zinc (ST) Engineered resin (LC, SC, FC)
Boot	Thermoplastic elastomer	Thermoplastic elastomer
Flame Retardancy	UL-94 V-0	UL-94 V-0
Adhesive	Pre-loaded blue hot melt	Pre-loaded blue hot melt

*Multimode connectors tested at 850nm and 1300nm.

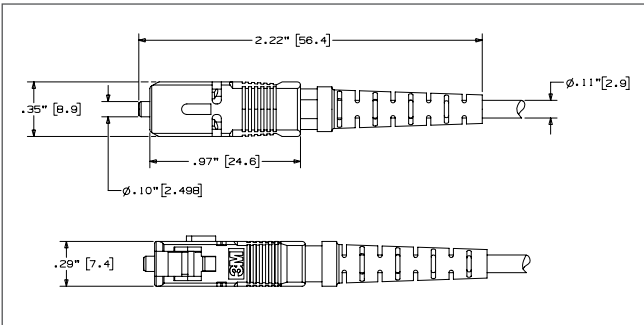
*Singlemode connectors tested at 1310nm and 1550nm.

Long-term Reliability

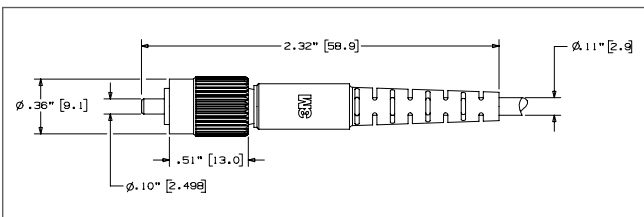
3M™ ST Hot Melt Connector



3M™ SC Hot Melt Connector



3M™ FC Hot Melt Connector

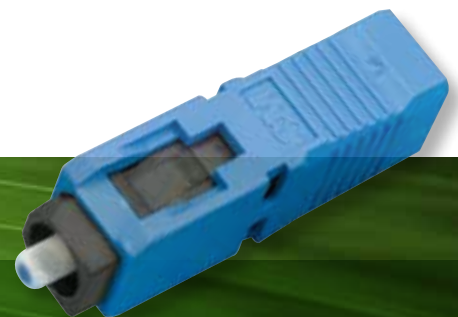
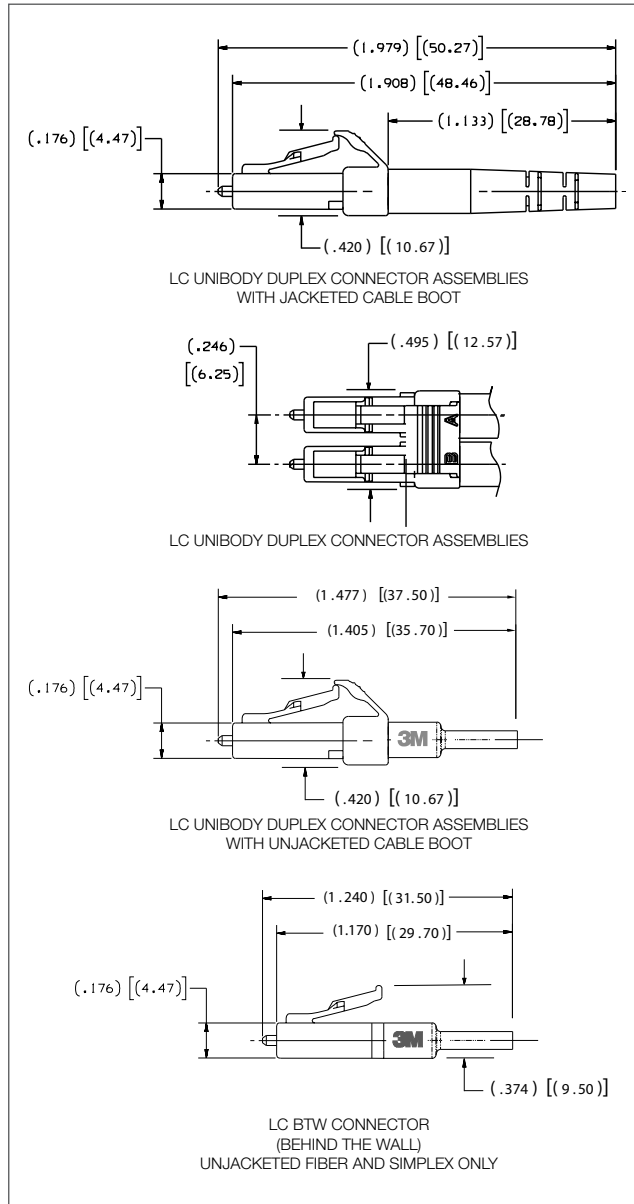


Note: ST hotmelt connectors are packaged for termination of 900 micron buffer, 2.4 mm and 3.0 mm jacketed cable.

SC and FC hot melt connectors are packaged for termination of 900 micron buffer and 3.0 mm jacketed cable.

For SC and FC termination of 2.4 mm jacketed cable, order the additional SC-FC Crimp Ring.

3M™ LC Hot Melt Connector



Ordering Information

Product Number	Description	Minimum Order	Packaging
3M™ LC Connectors			
6600-S	MM hot melt simplex 900 BTW, white boot	60	1/bag, 60/carton
6602-S	MM hot melt simplex 1.6-2.0 cable, white boot	60	1/bag, 60/carton
6603-S	MM hot melt simplex 2.4-3.0 cable, white boot	60	1/bag, 60/carton
6601-D	MM hot melt duplex 900 buffer, white/beige boots	60	1/bag, 60/carton
6602-D	MM hot melt duplex 1.6-2.0 cable, white/beige boots	60	1/bag, 60/carton
6603-D	MM hot melt duplex 2.4-3.0 cable, white/beige boots	60	1/bag, 60/carton
6604-D	MM hot melt duplex 900 buffer, red/black boots	60	1/bag, 60/carton
6605-D	MM hot melt duplex 1.6-2.0 cable, red/black boots	60	1/bag, 60/carton
6606-D	MM hot melt duplex 2.4-3.0 cable, red/black boots	60	1/bag, 60/carton
8600-S	SM hot melt simplex 900 BTW, white boot	60	1/bag, 60/carton
8602-S	SM hot melt simplex 1.6-2.0 cable, white boot	60	1/bag, 60/carton
8603-S	SM hot melt simplex 2.4-3.0 cable, white boot	60	1/bag, 60/carton
8601-D	SM hot melt duplex 900 buffer, white/beige boots	60	1/bag, 60/carton
8602-D	SM hot melt duplex 1.6-2.0 cable, white/beige boots	60	1/bag, 60/carton
8603-D	SM hot melt duplex 2.4-3.0 cable, white/beige boots	60	1/bag, 60/carton
3M™ ST Connectors			
6100-W	MM hot melt connector, white boot	60	1/bag, 60/carton
6100-B	MM hot melt connector, black boot	60	1/bag, 60/carton
6100-R	MM hot melt connector, red boot	60	1/bag, 60/carton
6100-W1K	MM hot melt connector, white boot	1,000	1/bag, 1,000/carton
6100-B1K	MM hot melt connector, black boot	1,000	1/bag, 1,000/carton
6100-R1K	MM hot melt connector, red boot	1,000	1/bag, 1,000/carton
8100-YS	SM hot melt connector, yellow boot	60	1/bag, 60/carton
8100-Y1K	SM hot melt connector, yellow boot	1,000	1/bag, 1,000/carton
3M™ FC Connectors			
6200	MM hot melt connector, white boot	60	1/bag, 60/carton
8200-W	SM hot melt connector, white boot	60	1/bag, 60/carton
3M™ SC Connectors			
6300-W	MM hot melt connector, white boot	60	1/bag, 60/carton
6300-W1K	MM hot melt connector, white boot	1,000	1/bag, 1,000/carton
6300-B1K	MM hot melt connector, black boot	1,000	1/bag, 1,000/carton
6300-R1K	MM hot melt connector, red boot	1,000	1/bag, 1,000/carton
8300	SM hot melt connector, white boot	60	1/bag, 60/carton
8300-W1K-S	SM hot melt connector, white boot	1,000	1/bag, 1,000/carton
Crimp Ring			
SC-FC	Crimp Ring 2.4 mm red 60-bulk	1 package	60/package

3M™ Hot Melt Termination Kits

The 3M™ Hot Melt Termination Kits 6366 (120V oven) and 6362 (230V oven) contain all materials necessary to terminate 3M SC, ST, and FC hot melt connectors, both singlemode and multimode. An LC expansion kit makes it easy to incorporate the LC hot melt process into one kit.



3M™ LC Hot Melt Expansion Kit 6650-LC



3M™ Hot Melt Termination Kits 6366 and 6362

The 3M™ LC Hot Melt Expansion Kit 6650-LC is used in addition to the 6366/6362 hot melt termination kits. The LC expansion kit contains the tools needed to terminate 3M™ LC Hot Melt Connectors that are not included in the 6366/6362 termination kits.



3M™ Hot Melt Polishing Machine 6851-E

The 3M™ Hot Melt Polishing Machine 6851-E features a fast, simple step polishing technology, used for multimode 3M Hot Melt connectors. This machine is used to polish two hot melt connectors at a time—SC, ST or FC—saving time and labor over hand polishing.

Features	Benefits
Premium microscope with oblique and coaxial lighting	Better view of fiber end face inspection
Roll-up tool pouch	Tools are organized and accessible
Universal hot melt holders	Fewer parts to carry, holds cable more securely
Instruction CD	Organized into video segments for quick reference

Ordering Information - Hot Melt Termination Kits

Product Number	Description	Minimum Order	Packaging
6366	Hot melt termination kit for ST, FC, SC hot melt connectors, 120V	1	1 each
6362	Hot melt termination kit for ST, FC, SC hot melt connectors, 230V	1	1 each
6650-LC	LC Hot Melt expansion kit (required with 6366/6362)	1	1 each